

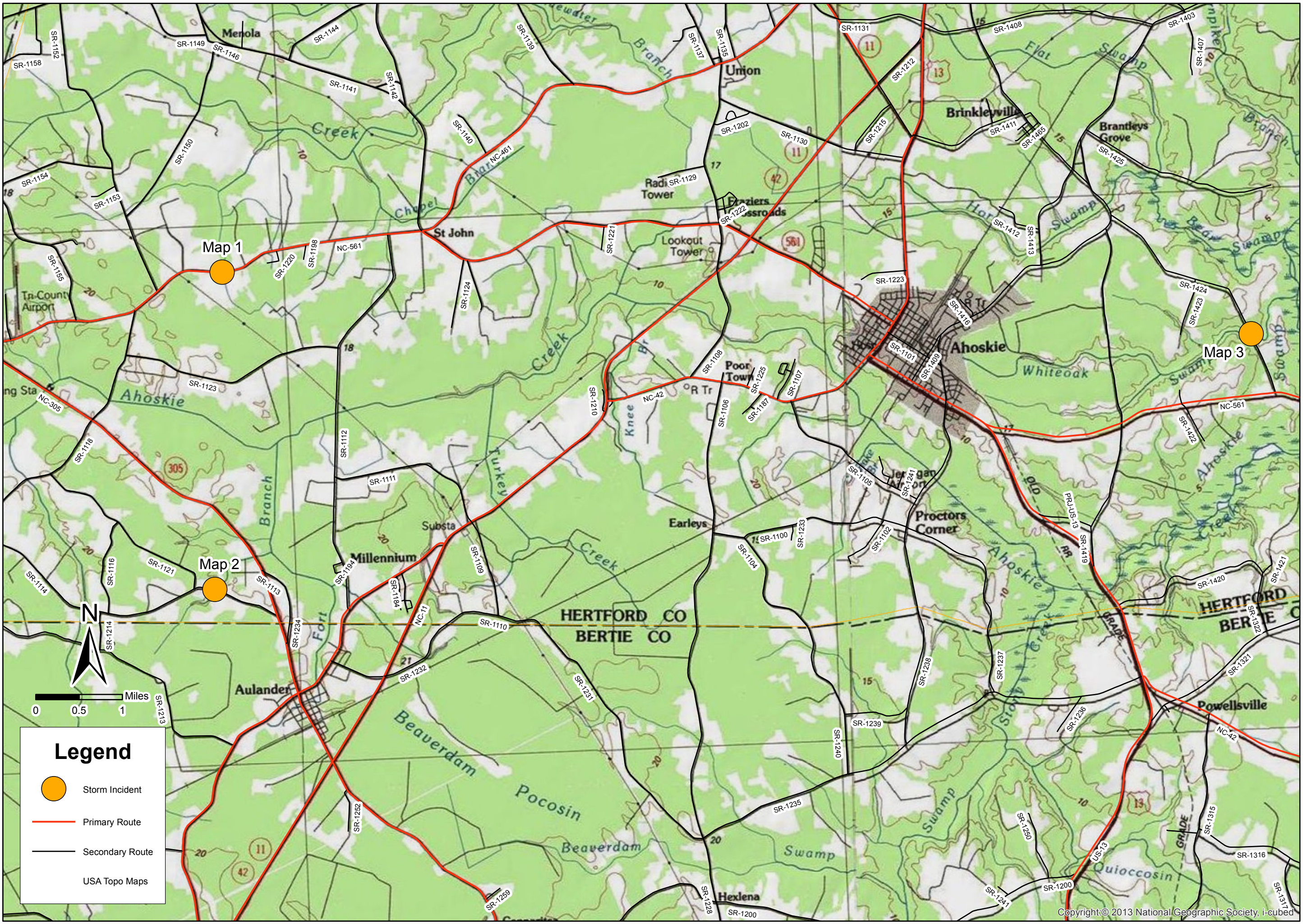
DA00331
 Division 1 NCDOT
 November 16, 2016
 Map Scale: 1 inch=1 mile

Bridge Pipe Replacements & Pavement Repair
 SR 1320 & SR 1337
 Northampton County



DA00331
 Division 1 NCDOT
 November 16, 2016
 Map Scale: 1 inch=1 mile

Bridge Pipe Replacements
 SR 1114, SR 1424 & NC 561
 Hertford County



Bridge Pipe Replacement

NC 561

Hertford County

Identification: Map 1

Latitude: 36.300302

Longitude: -77.128008

Existing Pipe: 2 @ 54" x 45' CMP

Proposed Pipe: 11'-1" x 7' x 45' ASPPA with Headwalls NCFMP not required

Perform in WET

(A dewatering line item has been included in the proposal if site conditions change)



Bridge Pipe Replacement

SR 1114, Horton's Church Road

Hertford County

Identification: Map 2

Latitude: 36.247243

Longitude: -77.131031

Existing Pipe: 2 @ 54" x 60' CMP

Proposed Pipe: 84" x 50' CAP with Headwalls

NCFMP not required

Perform in DRY



Bridge Pipe Replacement

SR 1424, Godwin Town Road

Hertford County

Identification: Map 3

Latitude: 36.28661

Longitude: -76.91556

Existing Pipe: 3 @ 96" x 60' CMP

Proposed Pipe: 25'-4" x 8'-7" x 49'-6" ABC with Headwalls NCFMP required

Perform in WET

(A dewatering line item has been included in the proposal if site conditions change)



Bridge Pipe Replacement

SR 1337, Britton Road

Northampton County

Identification: Map 4

Latitude: 36.48951

Longitude: -77.23643

Existing Pipe: 2 @ 6'9" x 9' x 40' CAP

Proposed Pipe: 25'-2" x 7' x 40'-6" ABC with Headwalls

NCFMP required

Perform in DRY



Included is shoulder/pavement repair and resurfacing. Resurfacing will extend from pipe replacement to shoulder repair area.



Bridge Pipe Replacement

SR 1320, Julian Morgan Road

Northampton County

Identification: Map 5

Latitude: 36.52010

Longitude: -77.46101

Existing Pipe: 36" x 60" x 37'

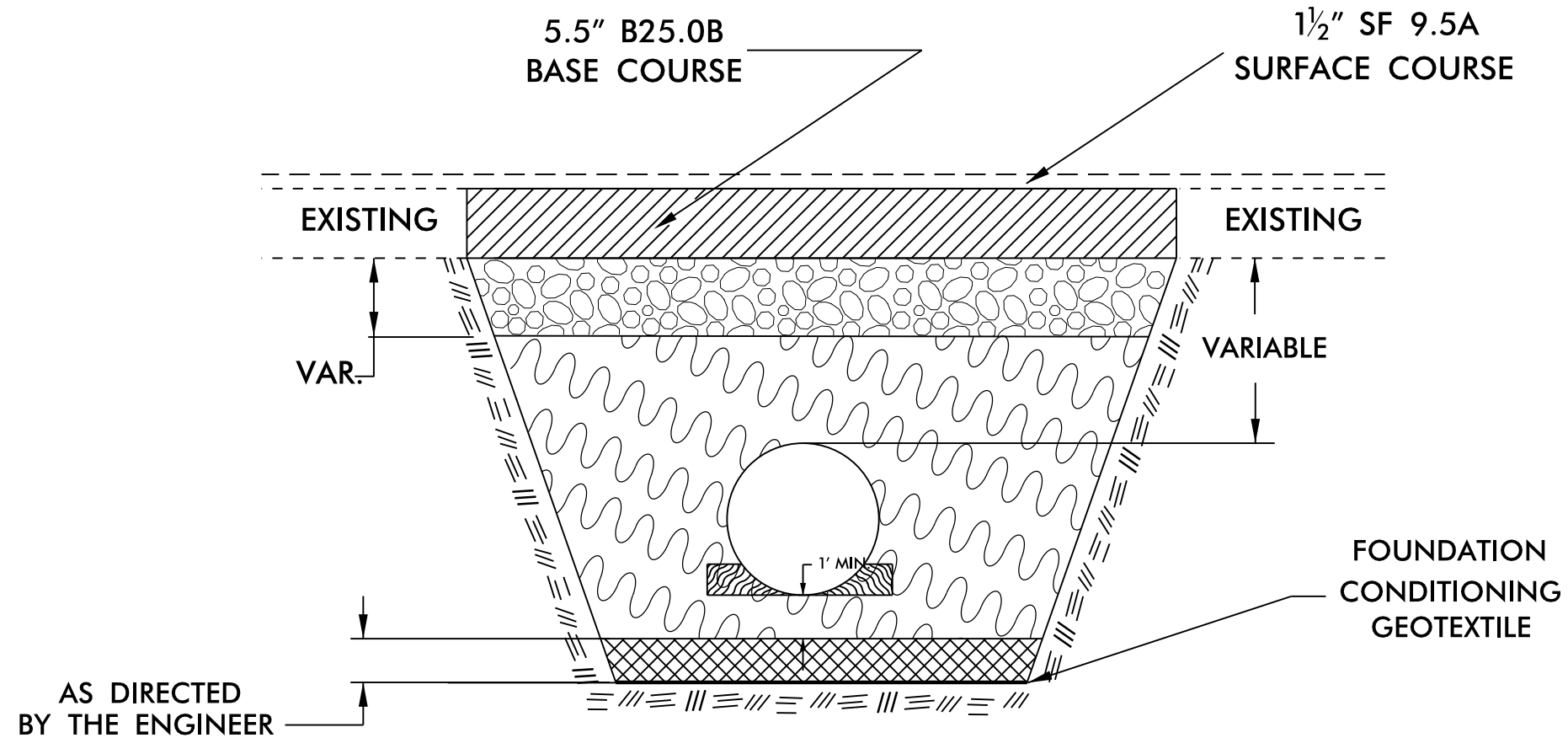
Proposed Pipe: 13'-4" x 3'-10" x 37' ABC with Headwalls

NCFMP not required

Perform in DRY



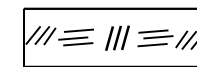
INSTALLATION DETAIL



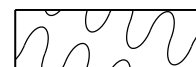
CORRUGATED ALUMINUM ALLOY PIPE /CULVERT



TAKE CARE TO FULLY COMPACT HAUNCH ZONE OF PIPE BACKFILL



UNDISTURBED EARTH MATERIAL



SELECT BACKFILL MATERIAL CLASS III OR CLASS II OR OTHER APPROVED MATERIAL BY THE ENGINEER



SELECT MATERIAL CLASS V OR VI FOR FOUNDATION CONDITIONING. ENGINEERING FABRIC WILL BE INSTALLED BELOW THIS MATERIAL AS DIRECTED BY THE ENGINEER



AGGREGATE BASE COURSE

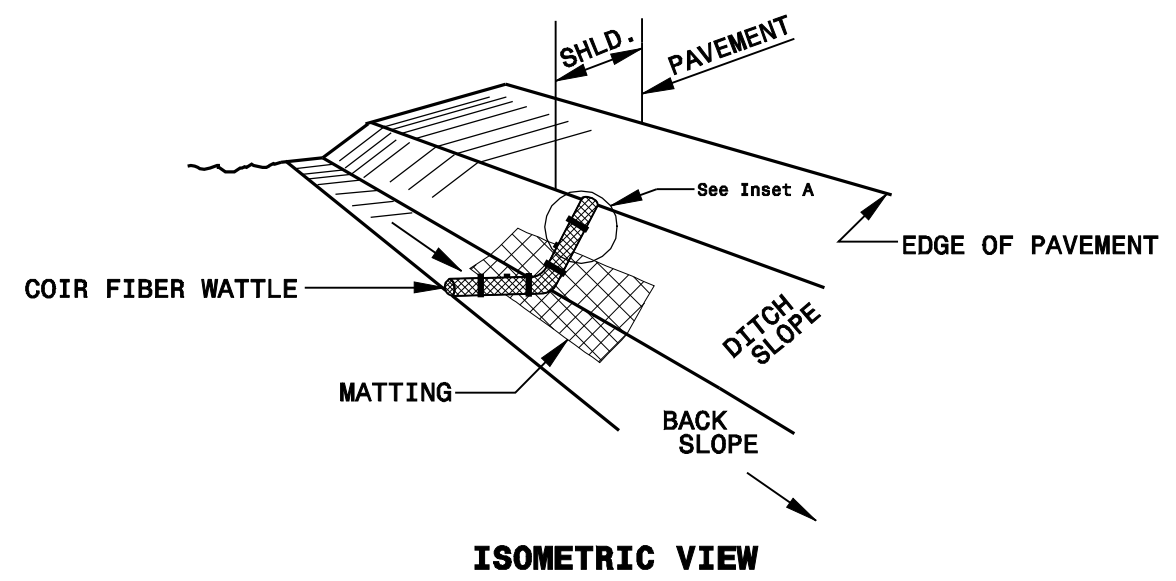
– NOT TO SCALE –

REVISIONS

20-NOV-2016 09:33
 C:\Users\jleslie\OneDrive\Documents\Projects\Division Projects\Division Working Files\Bridges\Maintenance\Division Wide\DA00331 Pipe_Culvert_Replacements_Hertford & Northampton Co. (Mathew 2016)\1 Pre-Bid Documents\Individual Files\DA00331

| | |
|---------------------------------|---------------------|
| PROJECT REFERENCE NO. X-XXXX | SHEET NO. EC-26 |
| RW SHEET NO. | |
| ROADWAY DESIGN ENGINEER | HYDRAULICS ENGINEER |

COIR FIBER WATTLE DETAIL



NOTES:

USE MINIMUM 12 IN. DIAMETER COIR FIBER (COCONUT FIBER) WATTLE.

USE 2 FT. WOODEN STAKES WITH A 2 IN. BY 2 IN. NOMINAL CROSS SECTION.

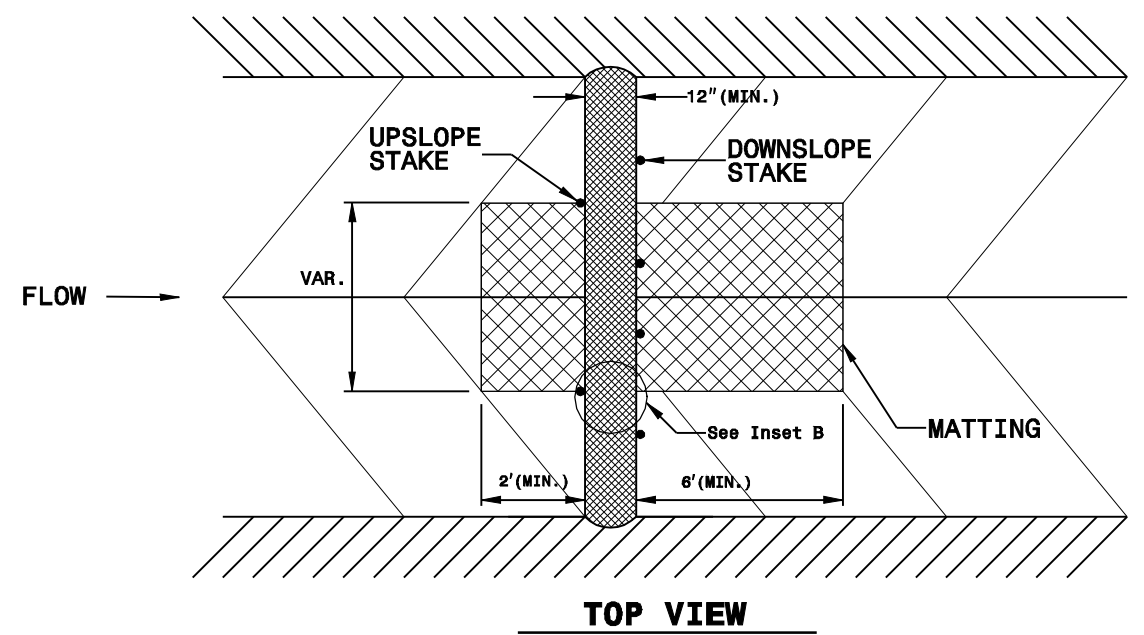
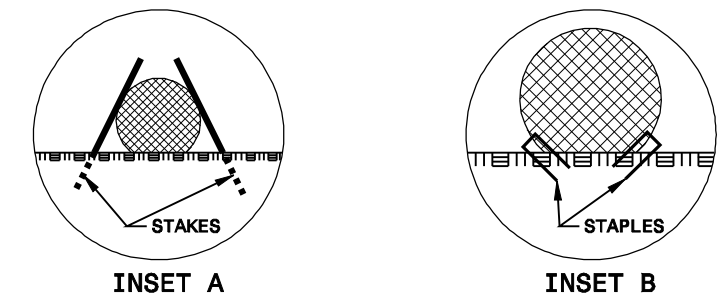
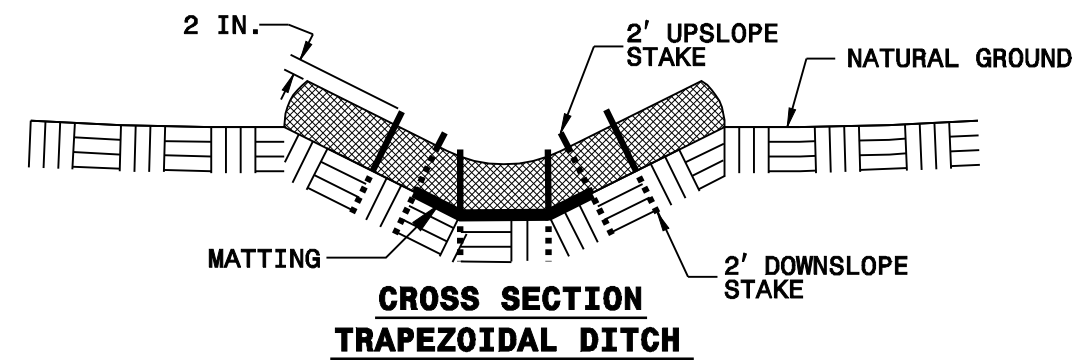
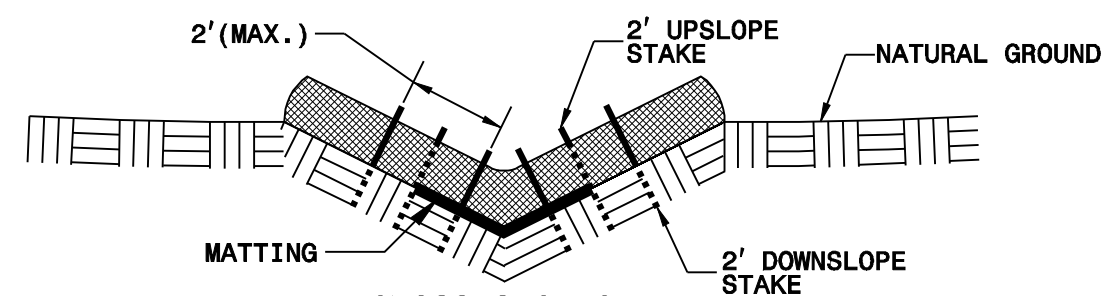
ONLY INSTALL WATTLE(S) TO A HEIGHT IN DITCH SO FLOW WILL NOT WASH AROUND WATTLE AND SCOUR DITCH SLOPES AND AS DIRECTED.

INSTALL A MINIMUM OF 2 UPSLOPE STAKES AND 4 DOWNSLOPE STAKES AT AN ANGLE TO WEDGE WATTLE TO BOTTOM OF DITCH.

PROVIDE STAPLES MADE OF 0.125 IN. DIAMETER STEEL WIRE FORMED INTO A U SHAPE NOT LESS THAN 12" IN LENGTH.

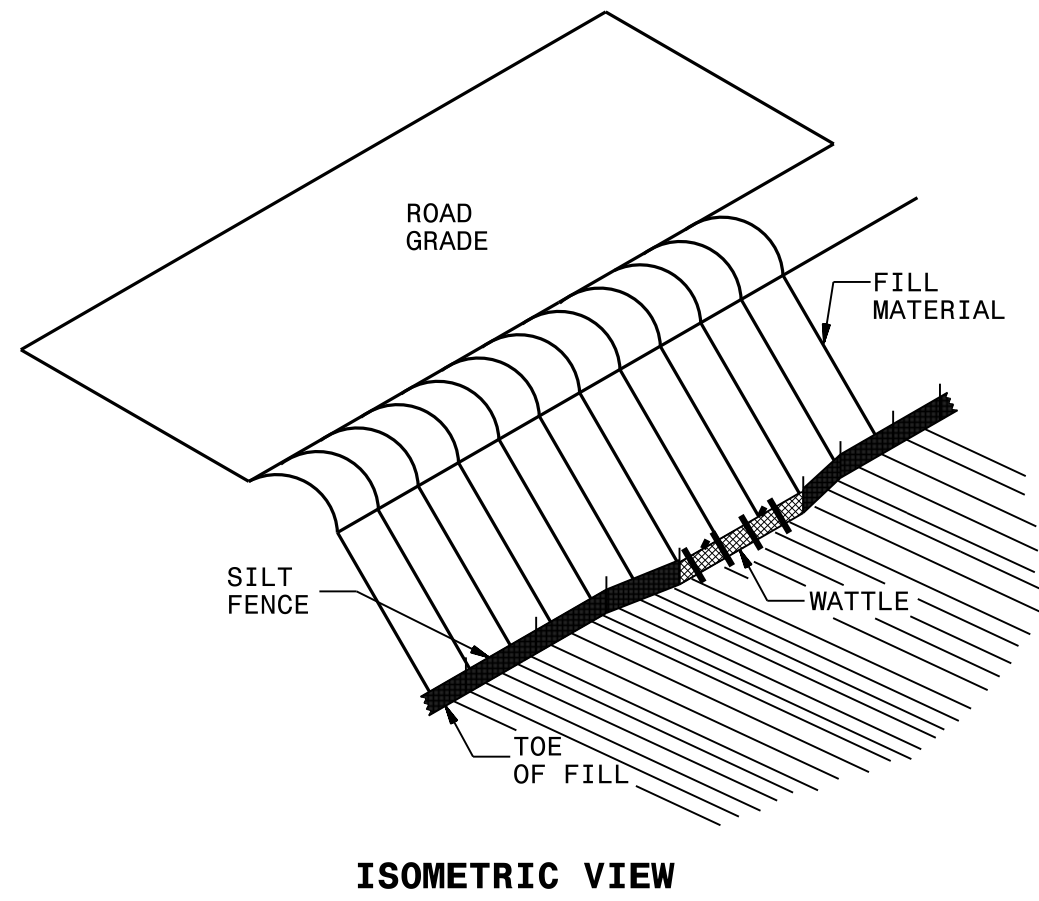
INSTALL STAPLES APPROXIMATELY EVERY 1 LINEAR FOOT ON BOTH SIDES OF WATTLE AND AT EACH END TO SECURE IT TO THE SOIL.

INSTALL MATTING IN ACCORDANCE WITH SECTION 1631 OF THE STANDARD SPECIFICATIONS.



SILT FENCE COIR FIBER WATTLE BREAK DETAIL

| | | | |
|---------------------------------|--|---------------------|--|
| PROJECT REFERENCE NO. X-XXXX | | SHEET NO. EC-2G | |
| RW SHEET NO. | | | |
| ROADWAY DESIGN ENGINEER | | HYDRAULICS ENGINEER | |



NOTES:

USE MINIMUM 12 IN. DIAMETER COIR FIBER (COCONUT FIBER) WATTLE AND LENGTH OF 10 FT.

EXCAVATE A 1 TO 2 INCH TRENCH FOR WATTLE TO BE PLACED.

DO NOT PLACE WATTLE ON TOE OF SLOPE.

USE 2 FT. WOODEN STAKES WITH A 2 IN. BY 2 IN. NOMINAL CROSS SECTION.

INSTALL A MINIMUM OF 2 UPSLOPE STAKES AND 4 DOWNSLOPE STAKES AT AN ANGLE TO WEDGE WATTLE TO GROUND.

PROVIDE STAPLES MADE OF 0.125 IN. DIAMETER STEEL WIRE FORMED INTO A U SHAPE NOT LESS THAN 12" IN LENGTH.

INSTALL STAPLES APPROXIMATELY EVERY 1 LINEAR FOOT ON BOTH SIDES OF WATTLE AND AT EACH END TO SECURE IT TO THE SOIL.

WATTLE INSTALLATION CAN BE ON OUTSIDE OF THE SILT FENCE AS DIRECTED.

INSTALL TEMPORARY SILT FENCE IN ACCORDANCE WITH SECTION 1605 OF THE STANDARD SPECIFICATIONS.

INSET A

